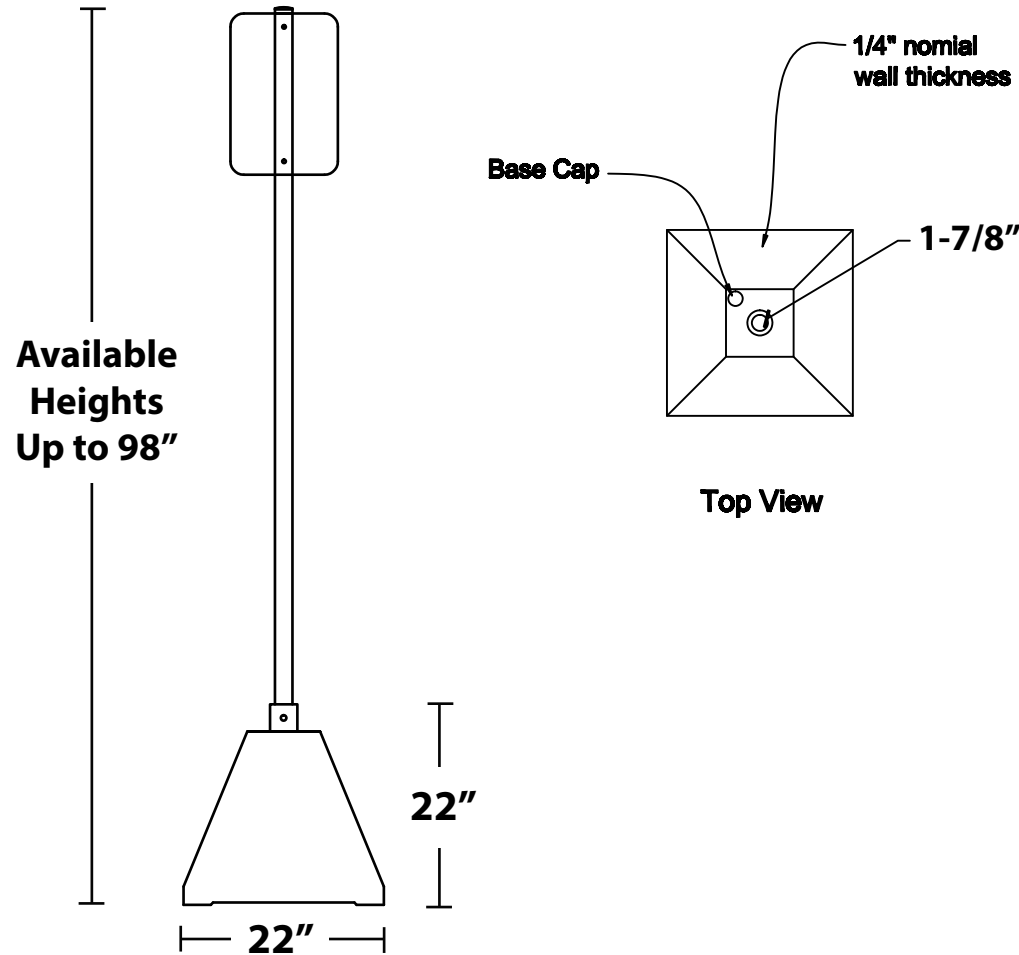


Sign Base - Pyramid Product Specifications



SPECIFICATIONS

Sign Base Material:

1/4" Nominal Wall Thickness
 Low-Density Polyethylene Thermoplastic
 w/ Ultra-Violet and Anti-Static Additives

Sign Base Dimensions:

22" H x 22" W x 22" D

Weight:

30 lbs. with pole

Colors:

Standard colors: OSHA Yellow, Blue or Red
 Custom colors available

Height:

Standard Height is 98" without wheels
 Standard Height is 102" with wheels

Installation:

Fill with concrete, sand or water
 Recommend 150 lbs. of sand or gravel
 Up to 22 Gal. of water

THIS DRAWING AND ALL THE INFORMATION THEREON IS THE PROPERTY OF THE IDEAL SHIELD. IS CONFIDENTIAL AND MUST NOT BE MADE PUBLIC, NOR COPIED, NOR USED, TO THE DISADVANTAGE OF SAID IDEAL SHIELD AND IS SUBJECT TO RETURN ON DEMAND.
 COPYRIGHT 2003 .
 IDEAL SHIELD

NO.	REVISIONS	DATE	APPROVED


 2525 Clark St.
 Detroit, MI 48209

PROJECT

CUSTOMER

DESCRIPTION
 Sign Base - Pyramid

DRAWN BY:	APPROVED BY:	DATE:
PROJECT NO:		SCALE:
DESIGN:		DRAWING NO:
DATE:		SHEET OF
		1 1